



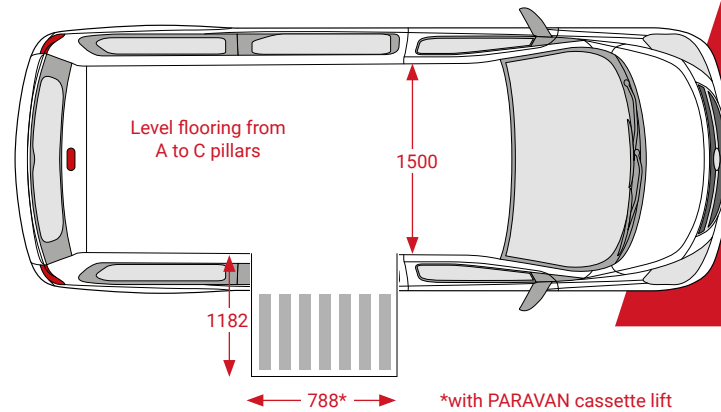
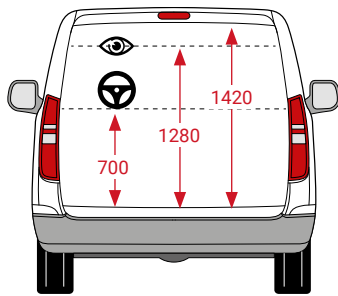
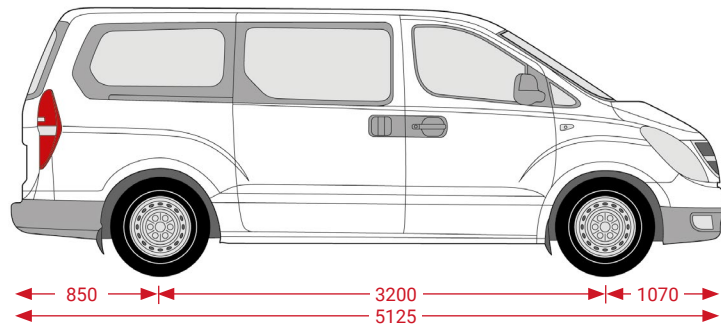
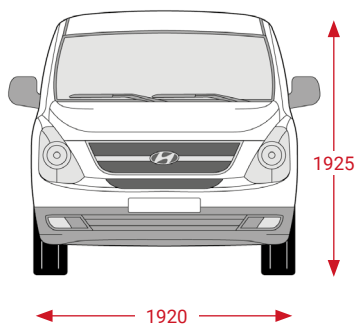
Illustrations contain special equipment

# HYUNDAI

## H1

### Enjoy going on board

The streamlined PARAVAN Hyundai H1 is a people carrier with an automatic gearbox that is a cut above the rest, both where the driver and passengers are concerned. Six seats and comfort included as standard will make travelling from A to B a pleasure every day... And all this at an attractive entry-level price for the basic vehicle. With the integrated PARAVAN cassette lift, you need to have no worries about safety when boarding and exiting the PARAVAN Hyundai H1. The floor covering and automatic roll-off protection prevent slipping even on rainy days. Getting behind the wheel in your chair? It has never been simpler thanks to complete freedom from barriers inside. The PARAVAN Hyundai H1 is the perfect partner for every situation.



Height limit:	1310 mm	Interior height:	max. 1420 mm	Interior width:	max. 1500 mm
Ramp width:	788 mm	Eye level:	1280 mm	Ramp length:	1182 mm

NOTE: The measurement and consumption information provided by the original manufacturer may no longer be correct after the conversion.

## YOUR BENEFITS

- Innovation and technology made by PARAVAN
- Comfortable entry thanks to the powerful PARAVAN cassette lift (optional, load capacity up to 330 kg)
- Easy opening of the side door and ramp extension through remote control (optional)
- Hard-wearing anthracite/black carpet
- Level floor throughout the vehicle interior
- Simultaneous transport of up to three wheelchairs; interior anchoring for the driver, passenger, and also in the rear seating area
- Original Hyundai chassis
- Flexible use of the vehicle interior space
- Fast, easy and secure installation and removal of the driver and front passenger seat
- thanks to PARAVAN's unique seating system
- Highest variability and comfortable interior height over the entire interior
- Attractive price/performance ratio
- Full luggage compartment and retains the original 3 seat bench in the rear
- Space Drive® II digital driving and steering system (optional)
- PARAVAN docking station available for the driver and passenger side (optional)