

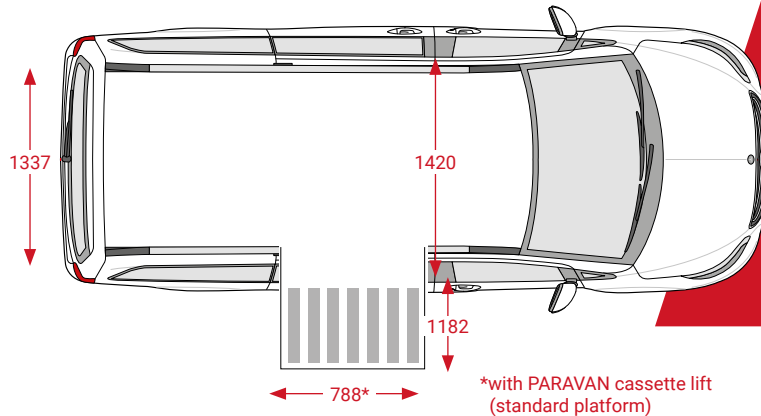
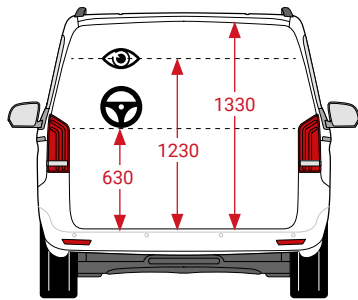
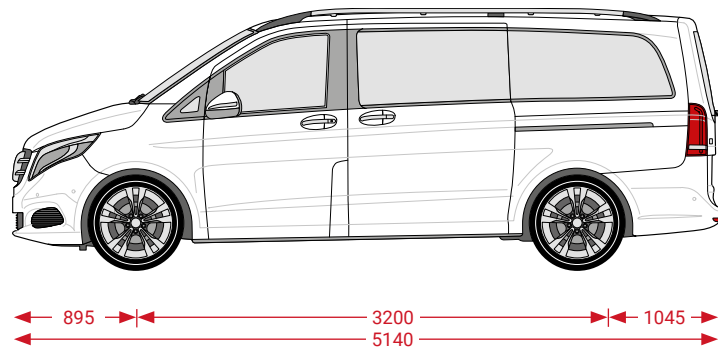
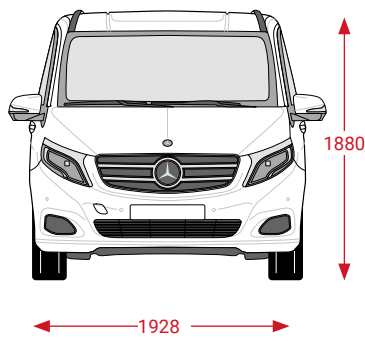


Illustrations contain special equipment

MERCEDES-BENZ V-CLASS

Just be mobile...

Whether you are the driver or a passenger: The Mercedes V-Class impresses with its many options for usage. Optional rear or side entry and air suspension system available. Enter your vehicle comfortably with the PARAVAN cassette lift and lock your PARAVAN power wheelchair securely in position with the docking station. Start your journey with the new PARAVAN Voice control or the incredible touch screen to control the secondary functions of your car. Use our digital driving and steering system Space Drive II to reach your individual mobility dream.



Version V-class long

*with PARAVAN cassette lift (standard platform)

Height limit:	1240 mm	Interior height:	max. 1330 mm	Interior width:	max. 1420 mm
Ramp width:	variable	Eye level:	1230 mm	Ramp length:	variable

NOTE: The measurement and consumption information provided by the original manufacturer may no longer be correct after the conversion.

YOUR BENEFITS

- Barrier-free interior from the A to the C pillar
- Air suspension on front and rear axle (optional)
- Comfortable entry thanks to the powerful PARAVAN cassette lift (optional)
- Rear entry options available based on individual needs
- Easy opening of the side doors and lift extension through remote control (optional)
- Simultaneous transport of up to two wheelchairs; interior anchoring for the driver, passenger, and also in the rear seating area
- Fast, easy and secure installation and removal of the driver and front passenger seats thanks to PARAVAN's unique seating system
- Highest variability in the entire interior
- Flexible use of the vehicle interior space
- Third row bench seating available
- Electronic parking brake
- Rust free stainless steel exhaust system
- Aluminum fuel tank
- Parktronic (optional)
- Space Drive® II system (optional)
- Individual driving and steering options for the primary and secondary functions (optional)
- PARAVAN docking station available for the driver and passenger side (optional)
- PARAVAN Voice Control system (optional)
- PARAVAN Touch system (optional)
- PARAVAN transfer seat base is available for the driver and passenger side (optional)