

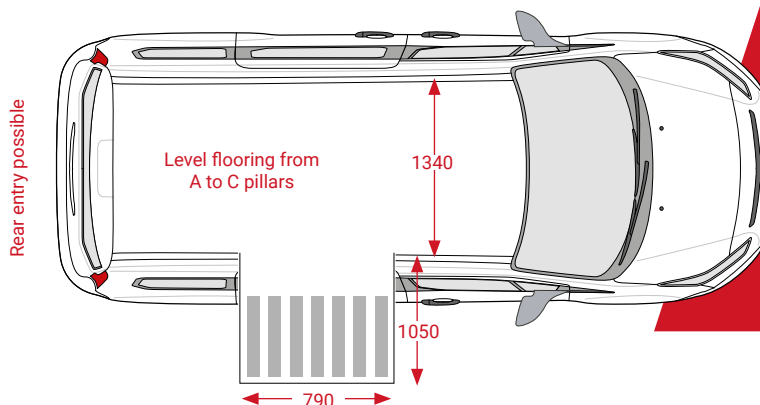
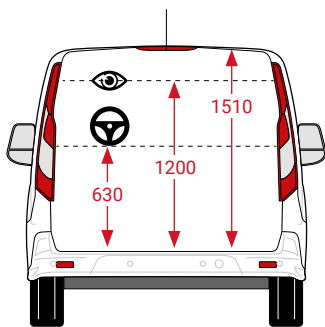
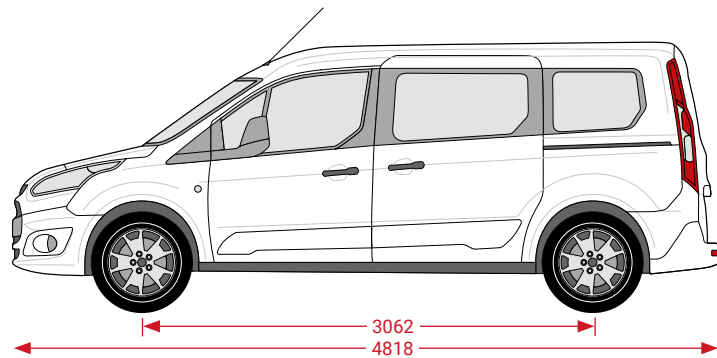
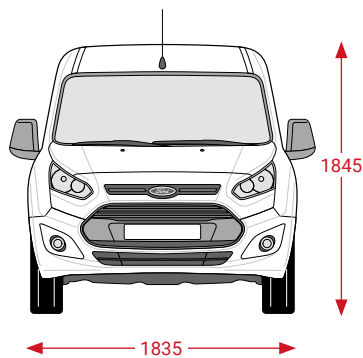


Illustrations contain special equipment

FORD TOURNEO CONNECT

Outside compact - inside fabulous!

For drivers and passengers in wheelchairs. An elegant interior ambience, an excellent ride comfort and an inexpensive, stylish, compact automobile. Reasons that motivated us to reach for new heights, providing people with limited mobility a new kind of driving passion. An amazing vehicle that makes happiness come alive at any moment.



Version Ford Tourneo Grand Connect

Height limit:	1340 mm	Interior height:	max. 1510 mm	Interior width:	1340 mm
Ramp width:	790 mm	Eye level:	1200 mm	Ramp length:	1050 mm

NOTE: The measurement and consumption information provided by the original manufacturer may no longer be correct after the conversion

YOUR BENEFITS

- Leveled floor from A to C pillars
- Air suspension on front and rear axle (optional)
- Comfortable entry thanks to the PARAVAN underfloor ramp and our extremely low ramp angle
- Easy opening of the side door and extension of the ramp with remote control (optional)
- Simultaneous transportation of up to two wheelchair users through attachments at driver and passenger position
- Simple, fast and safe assembly as well as disassembly of driver and passenger seat thanks to the proven PARAVAN seat system
- Highest variability in the entire interior
- Flexible use of the entire car cabin
- Electronic parking brake (optional)
- Individual driving and steering aids for primary and secondary functions (optional)
- Back seat stays fully available
- Stainless steel exhaust system
- Aluminium fuel tank
- Parktronic (optional)
- Space Drive® II system (optional)
- PARAVAN docking station on the driver's and front passenger side (optional)
- PARAVAN Voice Control (optional)
- PARAVAN transfer seat base for driver and passenger (optional)